



# The Moses Tool Suite Interfacing

Thomas Walter, Jörn W. Janneck

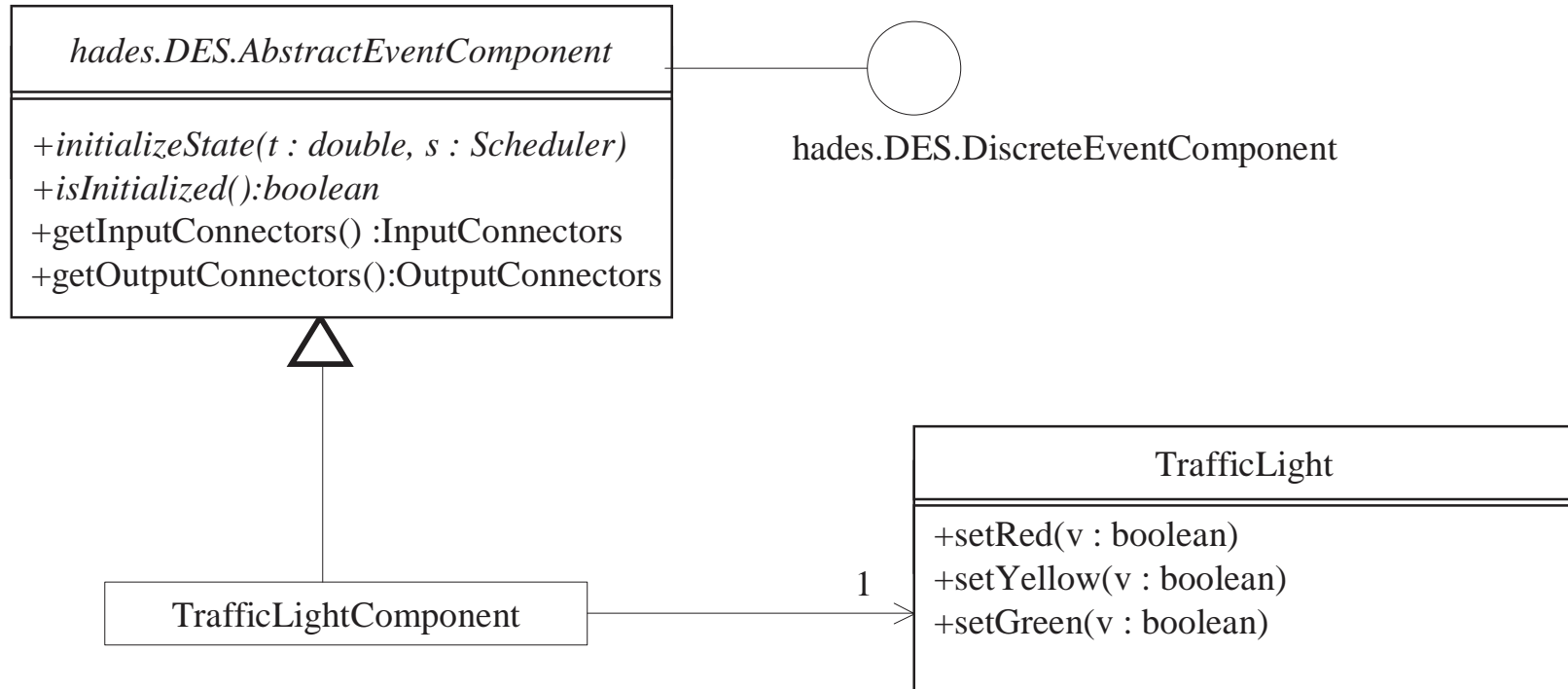
# Interfacing

---



- ◆ components can produce/consume data that originates/is sent to the outside world
  - user interfaces
  - display components
  
- ◆ the traffic light example

# Traffic Light Example



# Traffic Light Example

## Attributes, Ctor, DEC



```
private TrafficLight trafficLight = null;

public TrafficLightComponent(String name) {
    this.name = name;
    inputs.addConnector("Red", new RedInput());
    inputs.addConnector("Yellow", new YellowInput());
    inputs.addConnector("Green", new GreenInput());
}

public boolean isInitialized() {
    return trafficLight != null;
}

public void initializeState(double t, Scheduler scheduler) {
    trafficLight = new TrafficLight(name);
}
```

# Traffic Light Example

## Input classes



```
class RedInput extends AbstractMessageListener {
    public void message(MessageEvent e) {
        trafficLight.setRed(((Boolean)e.value).booleanValue());
    }
}
```

```
class YellowInput extends AbstractMessageListener {
    public void message(MessageEvent e) {
        trafficLight.setYellow(((Boolean)e.value).booleanValue());
    }
}
```

```
class GreenInput extends AbstractMessageListener {
    public void message(MessageEvent e) {
        trafficLight.setGreen(((Boolean)e.value).booleanValue());
    }
}
```

# Traffic Light Example Environment

